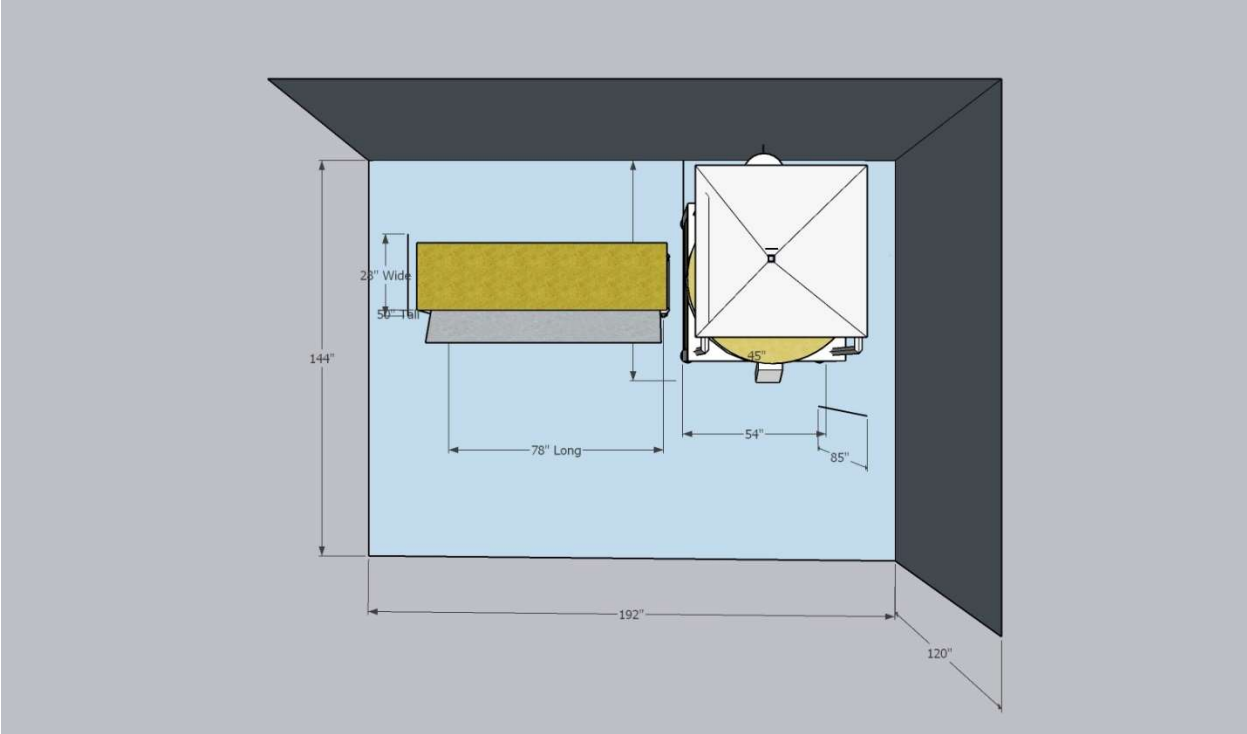
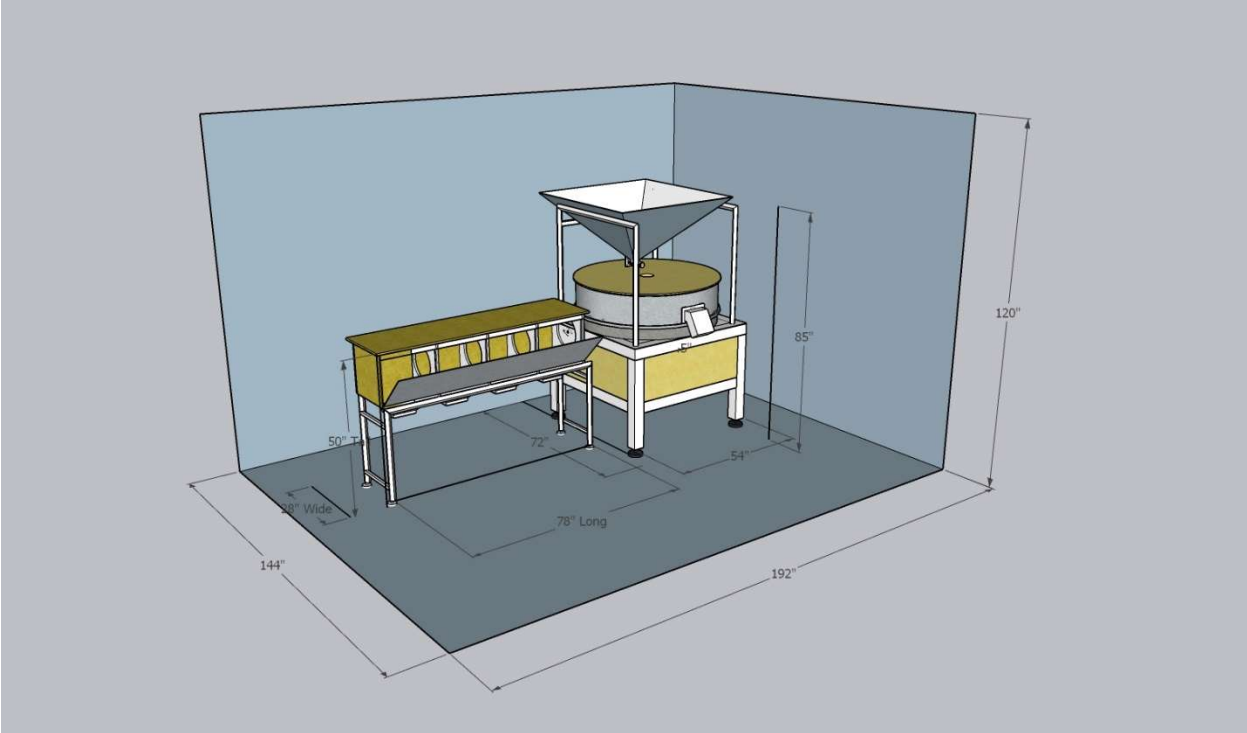


New American
Stone Mills North LLC

1780 Hardwood Flats Rd.
Wolcott, VT 05680
802-279-8833

Stone Mill 48"
With Integrated Sifter





Cut Sheet

- 48" Natural Barre Gray Granite millstones
- Welded steel frame, powder coated white
- 15 hp 3 phase motor TEFC UL listed
- Variable Frequency Drive for 3 phase service-NEMA 4 dust proof -soft starts, stops and adjusts motor speed-UL listed
- Stone casing- Baltic birch plywood with stainless steel lining
- Stainless hopper, approximately 300 lb. capacity
- Leveling Isolation Dampening Feet
- Includes yoke device and gantry crane for flipping runner stone
- Wooden Safety guard around pulleys and drive belts
- Grease fittings on bearings
- Accurate Hand wheel stone adjustment with readout
- Volumetric auger and speed control for grain feed
- Chute height 40" to accommodate 55 gallon bucket
- Canvas sleeve and bucket cover for 55 gallon bucket
- 180 RPM
- Production Rate 150-250 pounds per hour
- Footprint is 60"x 72" and 85" tall
- Approximately 4000 lbs.
- Requires a dedicated 240 V 3 phase 60 amp circuit
- Milling, maintenance and stone dressing instructions included

Sifter Description:

- Connects directly to mill for continuous operation
- Mild steel frame, powder coated white
- 1 hp Three phase motor with starter TEFC UL listed, wired to mill circuit
- Flour casing- plywood with stainless steel lining
- Leveling Isolation Dampening Feet
- Safety guard around pulleys and drive belts
- Grease fittings on bearings
- 4 outlets for flour, middlings and bran
- Removable screens for cleaning
- Two sets of fine 275 mesh screen and one medium 400 mesh screen
- Canvas sleeves for discharge included.
- Requires 4 Compatible rolling ingredient bins
- Footprint is 24" wide by 72" long by 50" tall
Approximately 300 lbs.

Requirements:

- Floor-suitable to support 4000 lb. load
- Doorway-minimum 60" wide to receive mill
- Ceiling height 10' minimum
- Minimum recommended room size 12'x 16'
- Electrical Service-One Circuit 230 Volt Three Phase 60 HZ with 60 Amps capacity. Requires hardwire installed by a certified electrician.